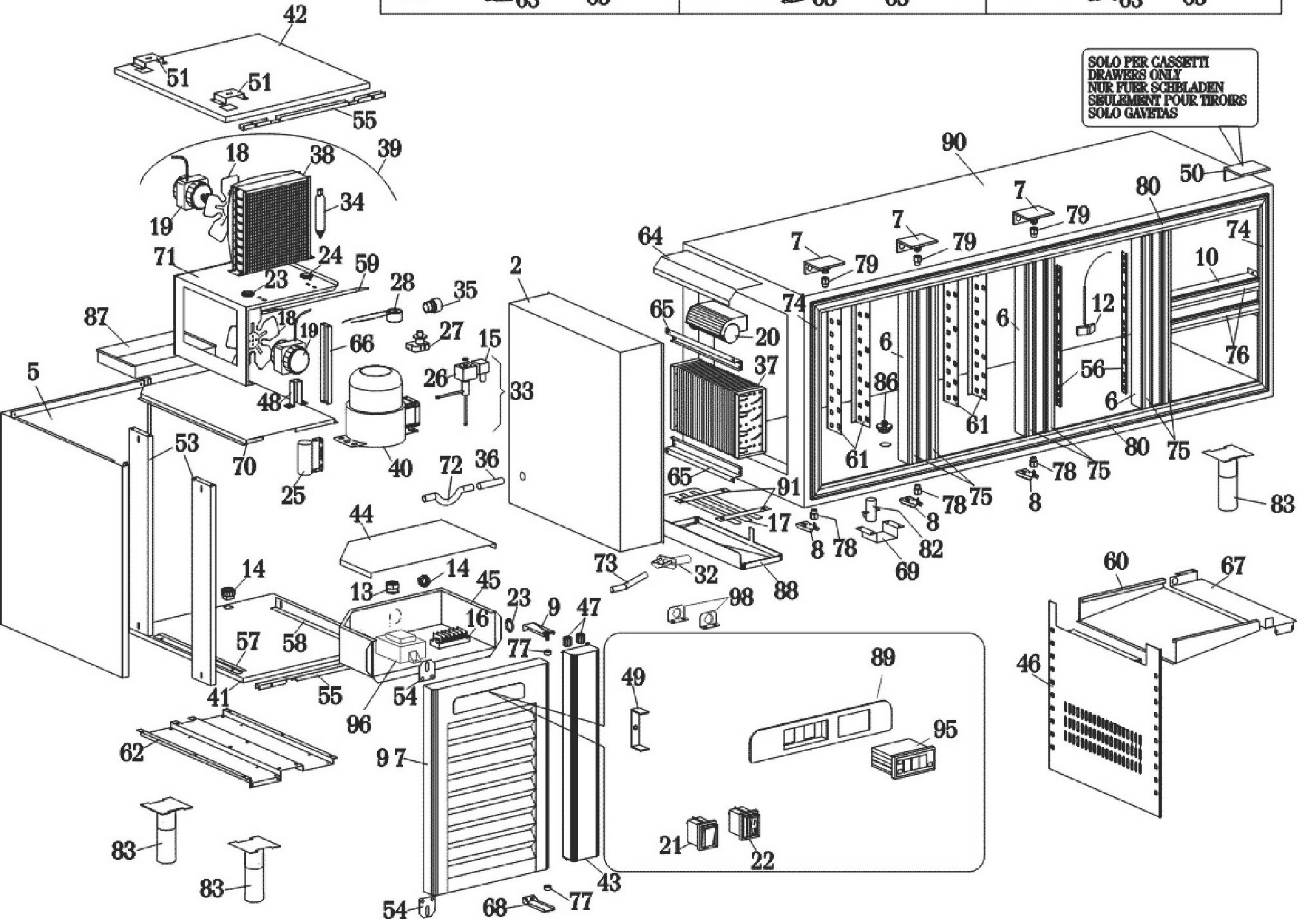
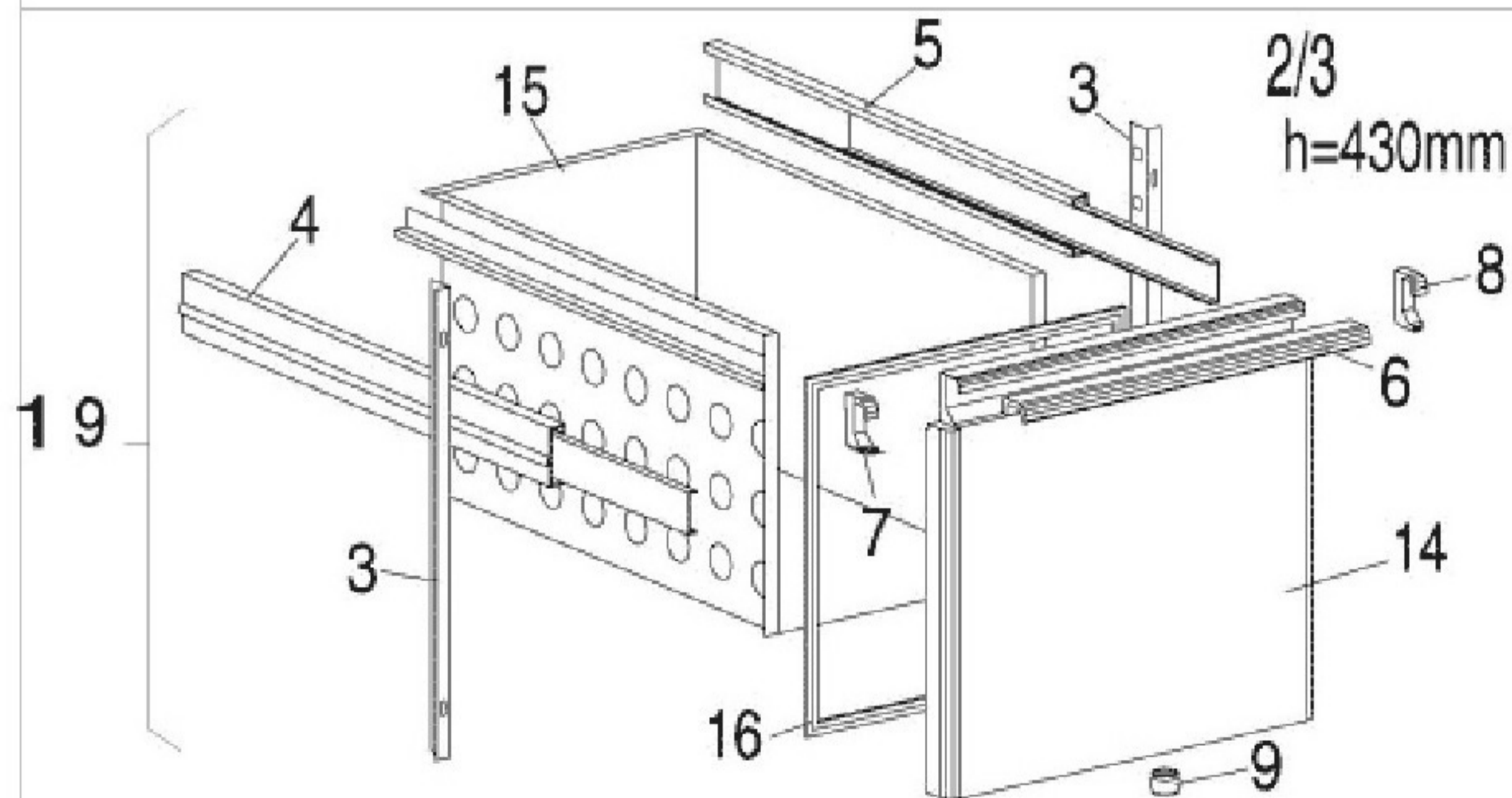
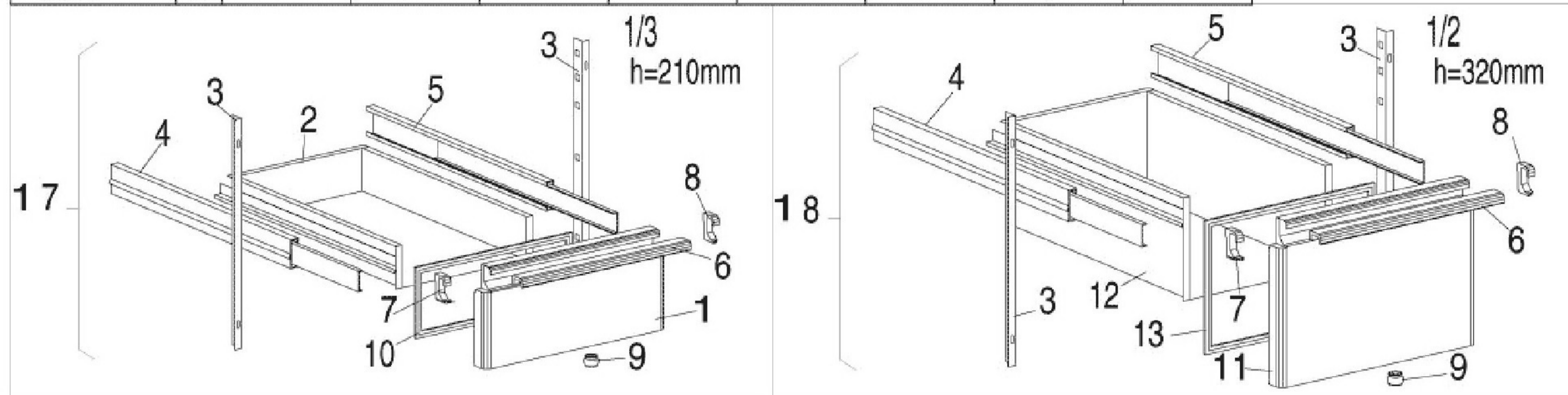


SOLO PER CASSETTI  
 DRAWERS ONLY  
 NUR FÜR SCHLADEN  
 SEULEMENT POUR TIROIRS  
 SOLO GAVETAS



### Modello Typ Model Modelle Modelo

|                                                             |     |                                           |                                                |                                                     |                                                |                                                     |                                                     |                                                     |                                                     |                                                     |                                                |
|-------------------------------------------------------------|-----|-------------------------------------------|------------------------------------------------|-----------------------------------------------------|------------------------------------------------|-----------------------------------------------------|-----------------------------------------------------|-----------------------------------------------------|-----------------------------------------------------|-----------------------------------------------------|------------------------------------------------|
| Num. Cassetti<br>Schublade<br>Drawers<br>Tiroirs<br>Gabetas | 1/2 | 6BMAM<br>6BMAB<br>6BMAA<br>BM1A<br>6BMAZ  | 6BMA2M<br>6BMA2B<br>6BMA2A<br>BM1A/2<br>6BMA2Z | 6BMA11M<br>6BMA11B<br>6BMA11A<br>BM1A/11<br>6BMA11Z | 6BMA3M<br>6BMA3B<br>6BMA3A<br>BM1A/3<br>6BMA3Z | 6BMBM<br>6BMBB<br>6BMBB<br>BM1B<br>6BMBZ            | 6BMB2M<br>6BMB2B<br>6BMB2A<br>BM1B/2<br>6BMB2Z      | 6BMB4M<br>6BMB4B<br>6BMB4A<br>BM1B/4<br>6BMB4Z      | 6BMB11M<br>6BMB11B<br>6BMB11A<br>BM1B/11<br>6BMB11Z | 6BMB22M<br>6BMB22B<br>6BMB22A<br>BM1B/22<br>6BMB22Z | 6BMB3M<br>6BMB3B<br>6BMB3A<br>BM1B/3<br>6BMB3Z |
|                                                             | 1/3 | -                                         | -                                              | 1                                                   | 3                                              | -                                                   | -                                                   | -                                                   | 1                                                   | 2                                                   | 3                                              |
|                                                             | 2/3 | -                                         | -                                              | 1                                                   | -                                              | -                                                   | -                                                   | -                                                   | 1                                                   | 2                                                   | -                                              |
| Num. Cassetti<br>Schublade<br>Drawers<br>Tiroirs<br>Gabetas | 1/2 | 6BMCM<br>6BMCB<br>6BMCA<br>BM1C<br>6BM CZ | 6BMC2M<br>6BMC2B<br>6BMC2A<br>BM1C/2<br>6BMC2Z | 6BMC4M<br>6BMC4B<br>6BMC4A<br>BM1C/4<br>6BMC4Z      | 6BMC6M<br>6BMC6B<br>6BMC6A<br>BM1C/6<br>6BMC6Z | 6BMC11M<br>6BMC11B<br>6BMC11A<br>BM1C/11<br>6BMC11Z | 6BMC22M<br>6BMC22B<br>6BMC22A<br>BM1C/22<br>6BMC22Z | 6BMC33M<br>6BMC33B<br>6BMC33A<br>BM1C/33<br>6BMC33Z | 6BMC3M<br>6BMC3B<br>6BMC3A<br>BM1C/3<br>6BMC3Z      |                                                     |                                                |
|                                                             | 1/3 | -                                         | -                                              | -                                                   | -                                              | 1                                                   | 2                                                   | 3                                                   | 3                                                   |                                                     |                                                |
|                                                             | 2/3 | -                                         | -                                              | -                                                   | -                                              | 1                                                   | 2                                                   | 3                                                   | -                                                   |                                                     |                                                |



## Modello Typ Model Modele Modelo

|                                                       |    |                                                     |                                                     |                                                          |                                                     |                                                     |                                                          |                                                          |                                                          |                                                          |
|-------------------------------------------------------|----|-----------------------------------------------------|-----------------------------------------------------|----------------------------------------------------------|-----------------------------------------------------|-----------------------------------------------------|----------------------------------------------------------|----------------------------------------------------------|----------------------------------------------------------|----------------------------------------------------------|
| Porte<br>Ture<br>Doors<br>Portes<br>Portas<br>Gabetas | SX | 6BMAM<br>6BMAB<br>6BMAA<br>BM1A<br>6BMAZ<br>1       | 6BMA2M<br>6BMA2B<br>6BMA2A<br>BM1A/2<br>6BMA2Z<br>1 | 6BMA11M<br>6BMA11B<br>6BMA11A<br>BM1A/11<br>6BMA11Z<br>1 | 6BMA3M<br>6BMA3B<br>6BMA3A<br>BM1A/3<br>6BMA3Z<br>1 | 6BMBM<br>6BMBB<br>6BMBA<br>BM1B<br>6BMBZ<br>2       | 6BMB2M<br>6BMB2B<br>6BMB2A<br>BM1B/2<br>6BMB2Z<br>2      | 6BMB4M<br>6BMB4B<br>6BMB4A<br>BM1B/4<br>6BMB4Z<br>1      | 6BMB11M<br>6BMB11B<br>6BMB11A<br>BM1B/11<br>6BMB11Z<br>2 | 6BMB22M<br>6BMB22B<br>6BMB22A<br>BM1B/22<br>6BMB22Z<br>1 |
|                                                       | DX | 1                                                   | -                                                   | -                                                        | -                                                   | 1                                                   | -                                                        | -                                                        | -                                                        | -                                                        |
| Porte<br>Ture<br>Doors<br>Portes<br>Portas<br>Gabetas | SX | 6BMB3M<br>6BMB3B<br>6BMB3A<br>BM1B/3<br>6BMB3Z<br>2 | 6BMCM<br>6BMCB<br>6BMCA<br>BM1C<br>6BMCZ<br>3       | 6BMC2M<br>6BMC2B<br>6BMC2A<br>BM1C/2<br>6BMC2Z<br>3      | 6BMC4M<br>6BMC4B<br>6BMC4A<br>BM1C/4<br>6BMC4Z<br>2 | 6BMC6M<br>6BMC6B<br>6BMC6A<br>BM1C/6<br>6BMC6Z<br>1 | 6BMC11M<br>6BMC11B<br>6BMC11A<br>BM1C/11<br>6BMC11Z<br>3 | 6BMC22M<br>6BMC22B<br>6BMC22A<br>BM1C/22<br>6BMC22Z<br>2 | 6BMC33M<br>6BMC33B<br>6BMC33A<br>BM1C/33<br>6BMC33Z<br>1 | 6BMC3M<br>6BMC3B<br>6BMC3A<br>BM1C/3<br>6BMC3Z<br>3      |
|                                                       | DX | -                                                   | 1                                                   | -                                                        | -                                                   | -                                                   | -                                                        | -                                                        | -                                                        | -                                                        |

